

W. GOLCHER.
Breech-Loading Fire-Arm.

No. 95,998.

Patented Oct. 19, 1869.

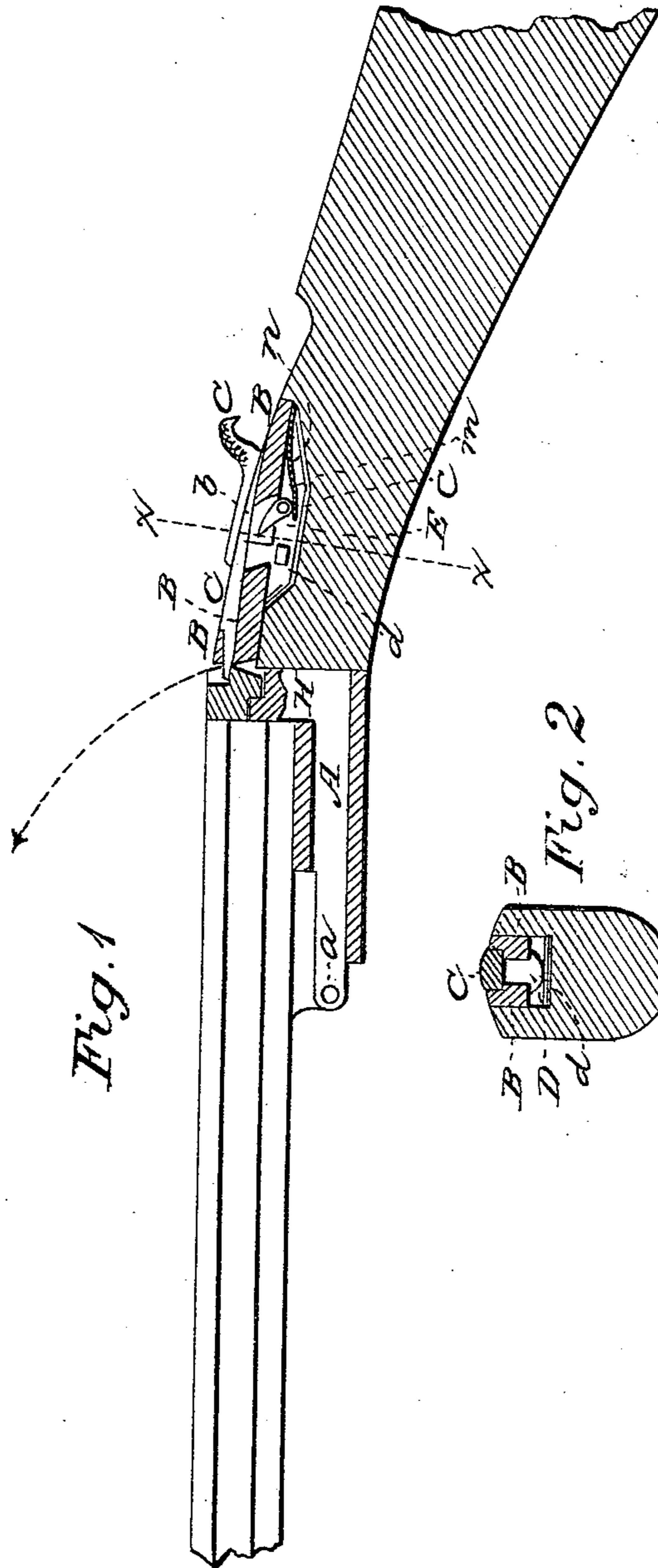


Fig. 1

Fig. 2

Witnesses:

C. A. Pettit
E. Kemmer

Inventor:

W. Golcher
by *Henry H. Co.*
Attorneys

United States Patent Office.

WILLIAM GOLCHER, OF ST. PAUL, MINNESOTA.

Letters Patent No. 95,998, dated October 19, 1869.

IMPROVEMENT IN BREECH-LOADING FIRE-ARMS.

The Schedule referred to in these Letters Patent and making part of the same.

To all whom it may concern:

Be it known that I, WILLIAM GOLCHER, of St. Paul, in the county of Ramsey, and State of Minnesota, have invented a new and improved Snap-Catch for Breech-Loading Fire-Arms; and I do hereby declare that the following is a full, clear, and exact description of the construction and operation of the same, reference being had to the accompanying drawings, making a part of this specification, in which—

Figure 1 is a side view, a portion being shown in longitudinal section.

Figure 2 is a cross-section, taken through line *xx* of fig. 1.

The object of this invention is to provide a simple, convenient, and effective means for fastening down the breech of guns of the class above named, it being so constructed that it occupies but little space, is cheap, easily applied and operated, and not liable to break or get out of order.

In the drawings—

The breech-plate is represented in dark colors, the barrel and stock, which it connects, being shown in red. Of this breech-plate, A is that portion which extends under and supports the barrel, being articulated to it at *a*.

B is that portion which is countersunk into the upper side of the stock at the bend of the breech; and H is the vertical breech-block between and connecting the parts A B.

C is a sliding catch, provided with a thumb-piece, *c*, and working longitudinally with the gun, it being supported in the part B, in which the most of it is countersunk, as seen in the drawing.

A stem or pin, D, having a head, *d*, on its lower end, extends down through a slot, *b*, in the part B, and serves the double purpose of locking the catch down in place while guiding it in its longitudinal movement.

E is a lever, pivoted to a pin, *e*, and having an eccentric head, *m*, against which a spring, *n*, presses, so

as to force the opposite end of the lever against the rear side of the stem D, and thereby throw the catch C forward, as shown in the drawing, fig. 1.

The whole apparatus is simple, occupying but little space, and, as will be readily seen, not liable to get out of order.

I am aware that a snap-catch, something like that above described, has been employed by W. Richards for a similar purpose. In his catch, however, the lever swings horizontally, and acts against the lower end of the pin, corresponding to D, in mine. The latter pin, therefore, is not and cannot well be made with a head like mine, and the pin has to be set on one side of the centre of the sliding latch. The whole arrangement is more complex than mine, and not by any means so substantial and so little liable to get out of repair.

I do not claim a snap-catch for fire-arms, in which the lever, corresponding to E, swings horizontally, nor one in which the pin, corresponding to D, is not provided with a head to keep the sliding latch firmly down upon its supporting-plate, nor one in which the lever acts otherwise against the spring than with its eccentric head; but

What I do claim as new, and desire to secure by Letters Patent, is as follows, viz:

The snap-catch for fire-arms, as above described, consisting essentially of the slide-latch C, the stem D, having a head, *d*, that slides in contact with the under edges of the slot in the supporting-plate through which the stem extends, the inclined lever E, working in a vertical plane against the stem D, above the head *d*, and provided with an eccentric end, *m*, against which the spring *n*, presses vertically, when said parts are constructed and arranged to operate in the manner and for the purposes set forth.

WM. GOLCHER.

Witnesses:

J. H. MATHEWS,
C. A. PETTIT.